

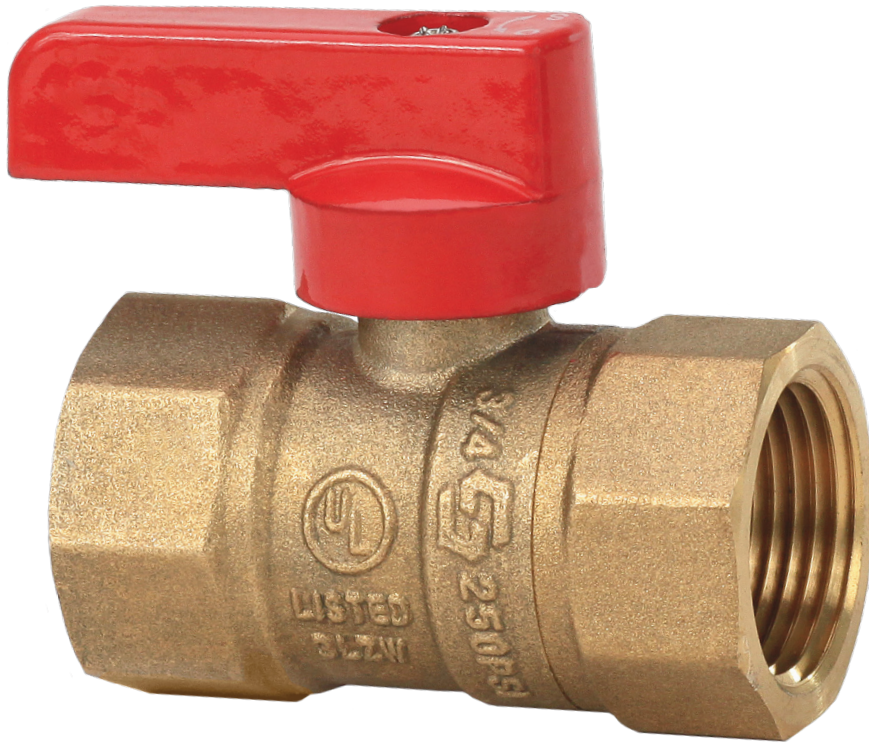


VALVES

**GAS BALL LEVER HANDLE -
BRASS - UL LISTED**

FEATURES & APPLICATIONS:

- Lever Handle Female x Female
- AGA Approved - UL Listed
- Gas Ball Valve for Natural Gas



*Not For Use With Potable Drinking Water Applications

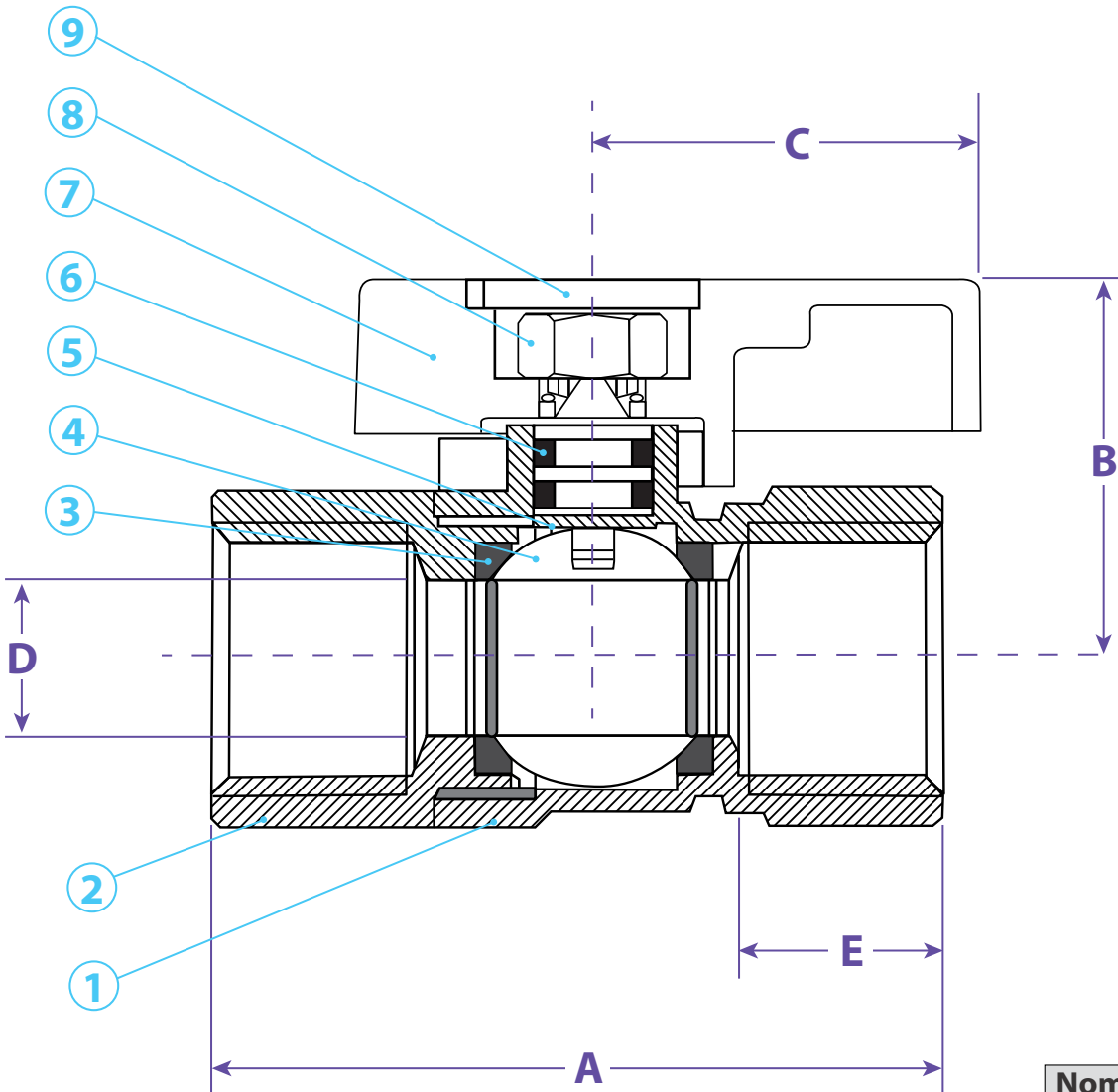
TECHNICAL DATA:

- **WOG** = Rating indicates the maximum non-shock pressure at ambient temperatures at which the valve may be used.
- **CWP** = Cold working pressure

WOG: Water, Oil & Gas: This was an older, generic pressure rating call-out which has been largely replaced by CWP. In this designation, "GAS" refers to any non-flammable, compressible fluid in a gaseous state. It does not imply a product's suitability or third-party approval for use with flammable gases. Similarly, in this designation, "Oil" does not imply a product's third-party approval for use with any petroleum products.

BRASS

Size	Part #
3/8"	AGA 038
1/2"	AGA 050
3/4"	AGA 075
1"	AGA 100



Dimensions							
Size	A	B	C	D	E	Wt.	Part #
3/8"	1.91	1.14	1.19	0.39	0.51	.31	AGA 038
1/2"	2.21	1.19	1.19	0.47	0.61	.36	AGA 050
3/4"	2.45	1.26	1.19	0.59	0.67	.47	AGA 075
1"	2.76	1.36	1.19	0.75	0.71	.91	AGA 100

Nomenclature & Material

No.	Description	Material
1	Body	Forged Brass ¹ CU>57%
2	End Piece	Forged Brass ¹ CU>57%
3	Seat	PTFE, Glass Reinforced
4	Ball	Brass, Chrome Plated
5	Stem	Brass
6	O-Ring	Nitrile
7	Handle	Aluminum, Painted Red
8	Nut	Steel, Plated
9	ID Plate	Aluminum

TITLE **BALL VALVE - GAS LEVER HANDLE**

DISCLAIMER

All drawings and specifications are subject to change without notice. Drawings represent general dimensions of our products. Seal Fast Inc. cannot guarantee the dimensions will exactly match those in the drawing. The drawing is the property of Seal Fast Inc. Copying or reproduction of this drawing is expressly prohibited.

MATERIAL

BRASS

DRAWING NOT TO SCALE

PART #

AGA...